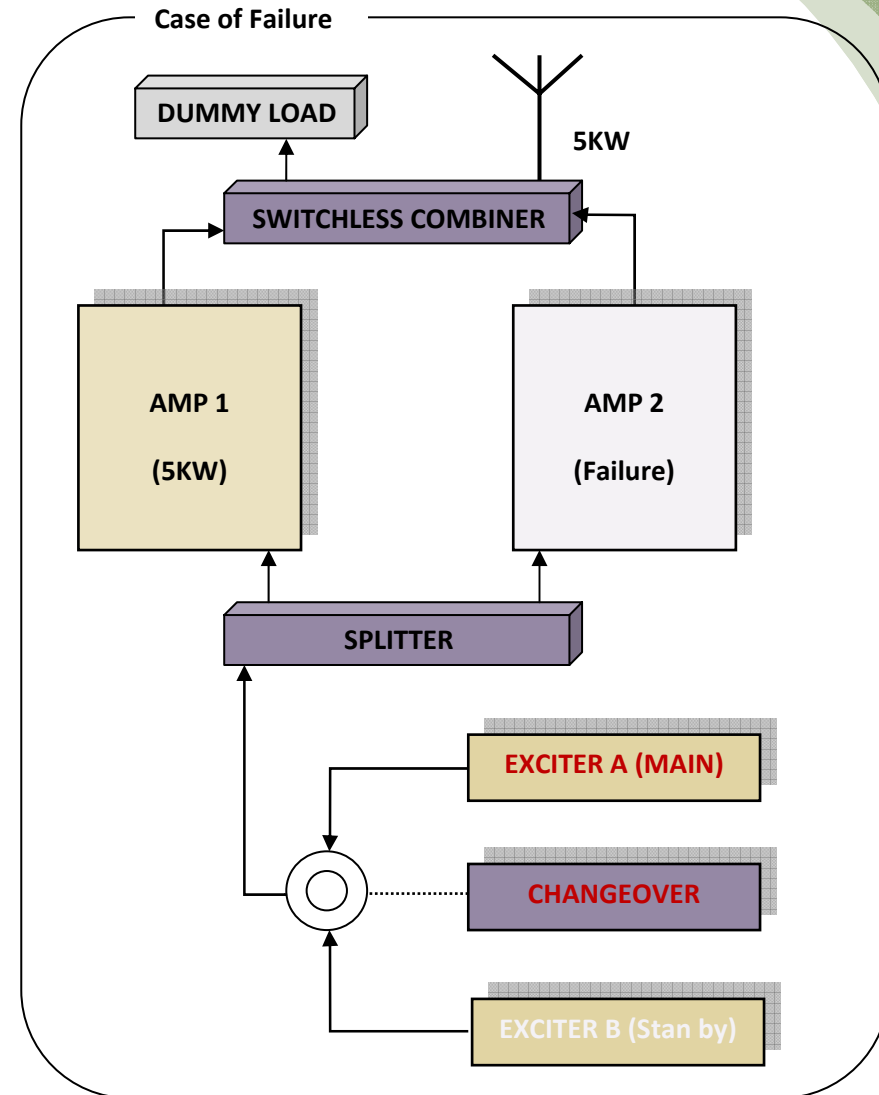
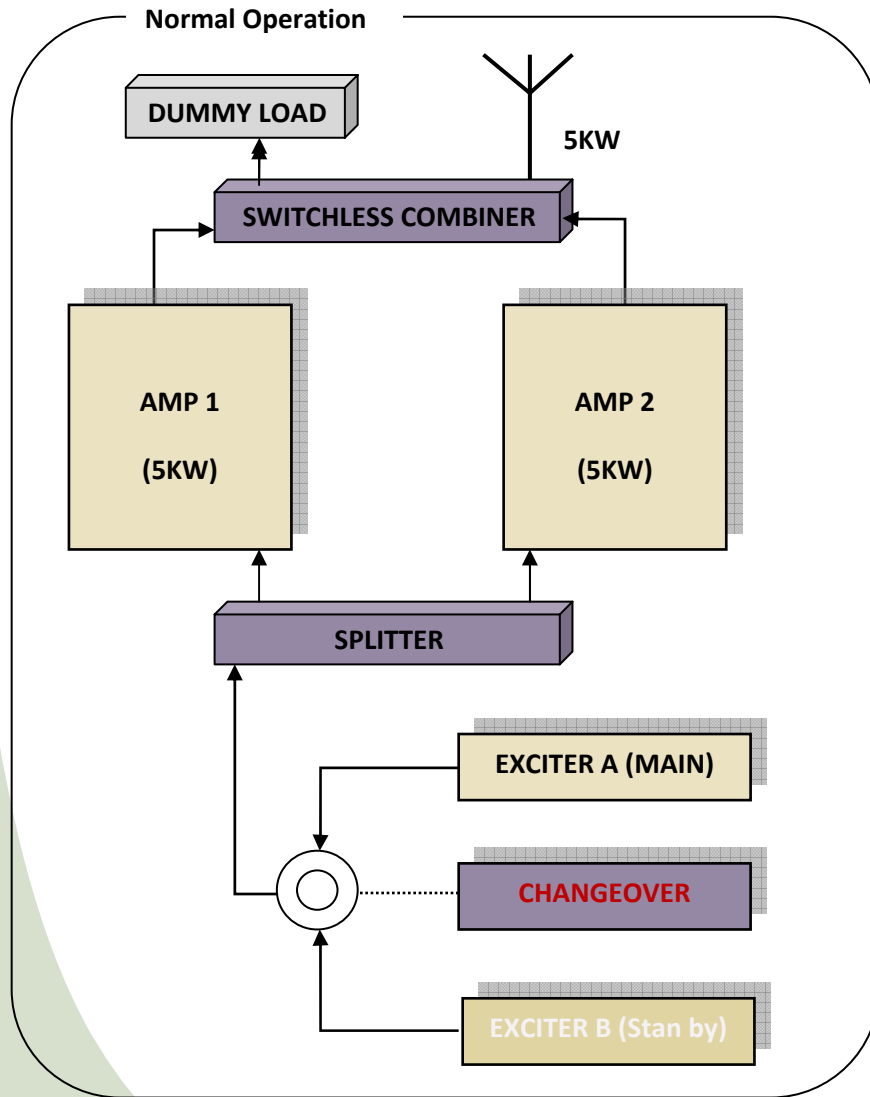


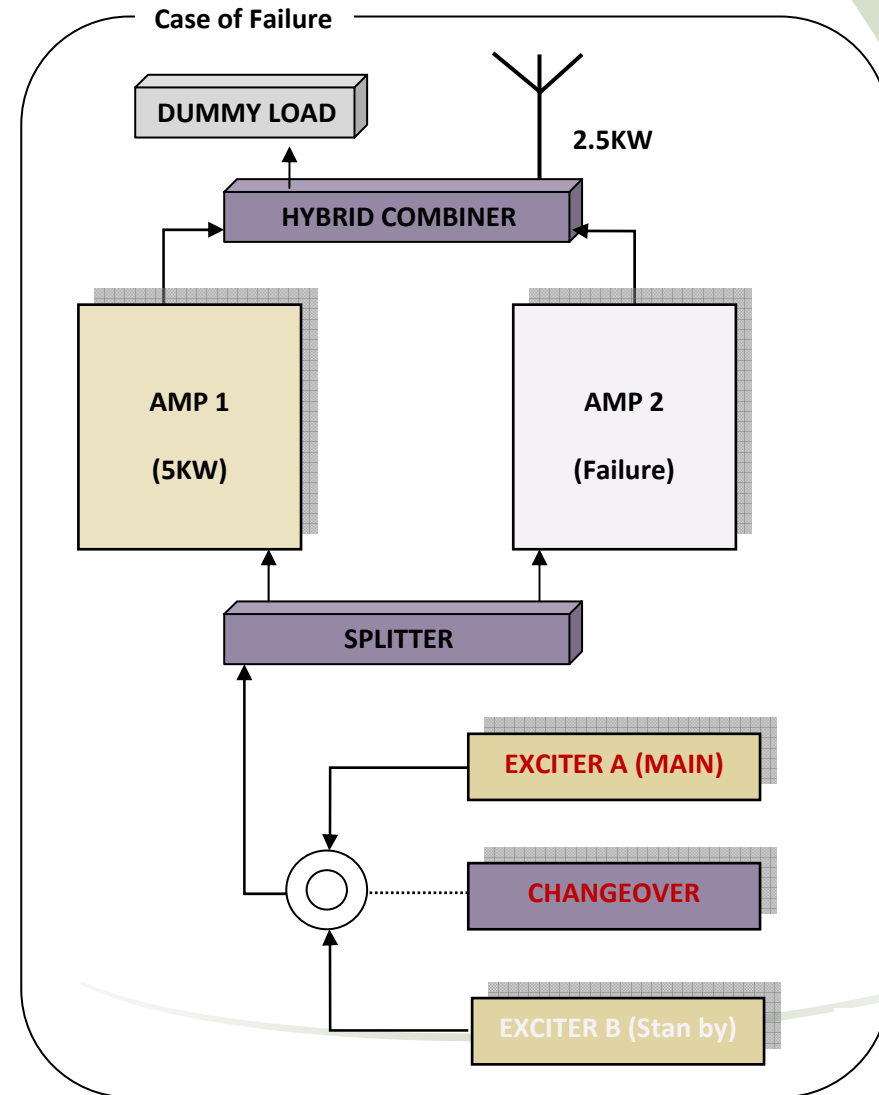
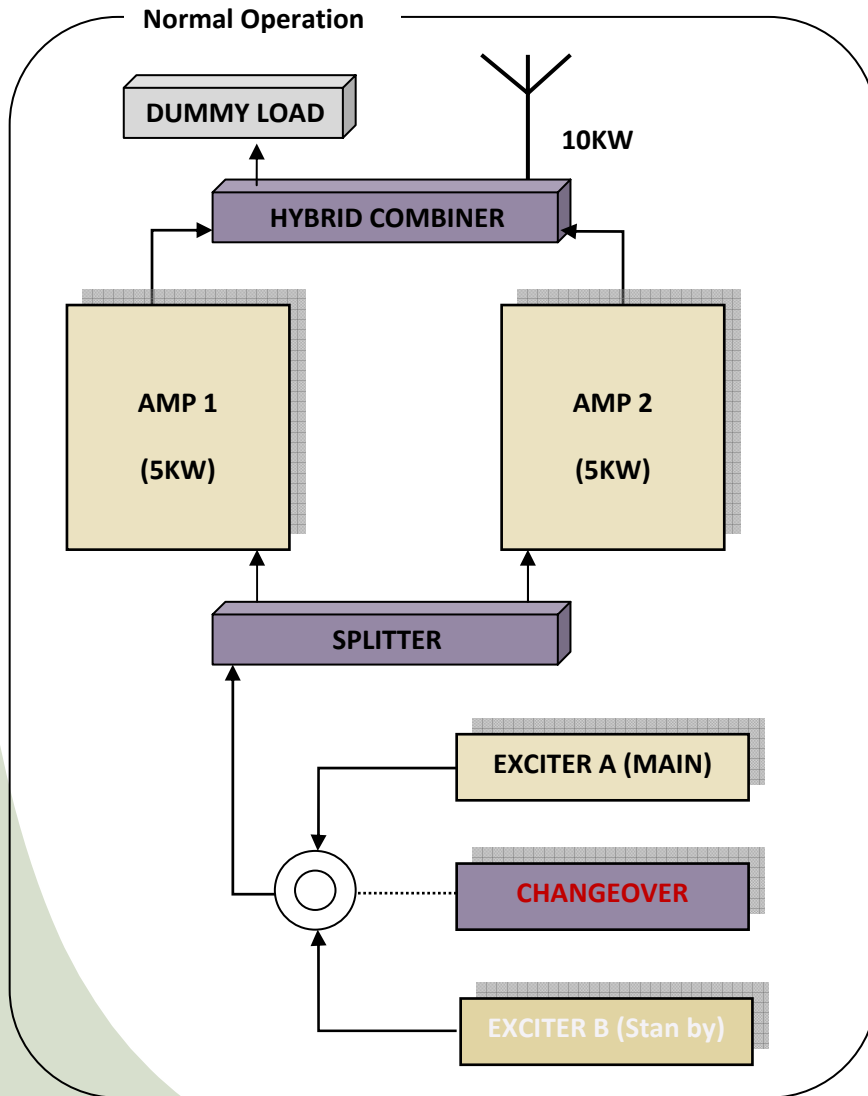
'1+1' Active System Transmitters with Switchless Combiner



This system composed two amplifiers. In case of fails of one amplifier, the switchless combiners automatically switch to the antenna, the power of amplifier stay "On air".



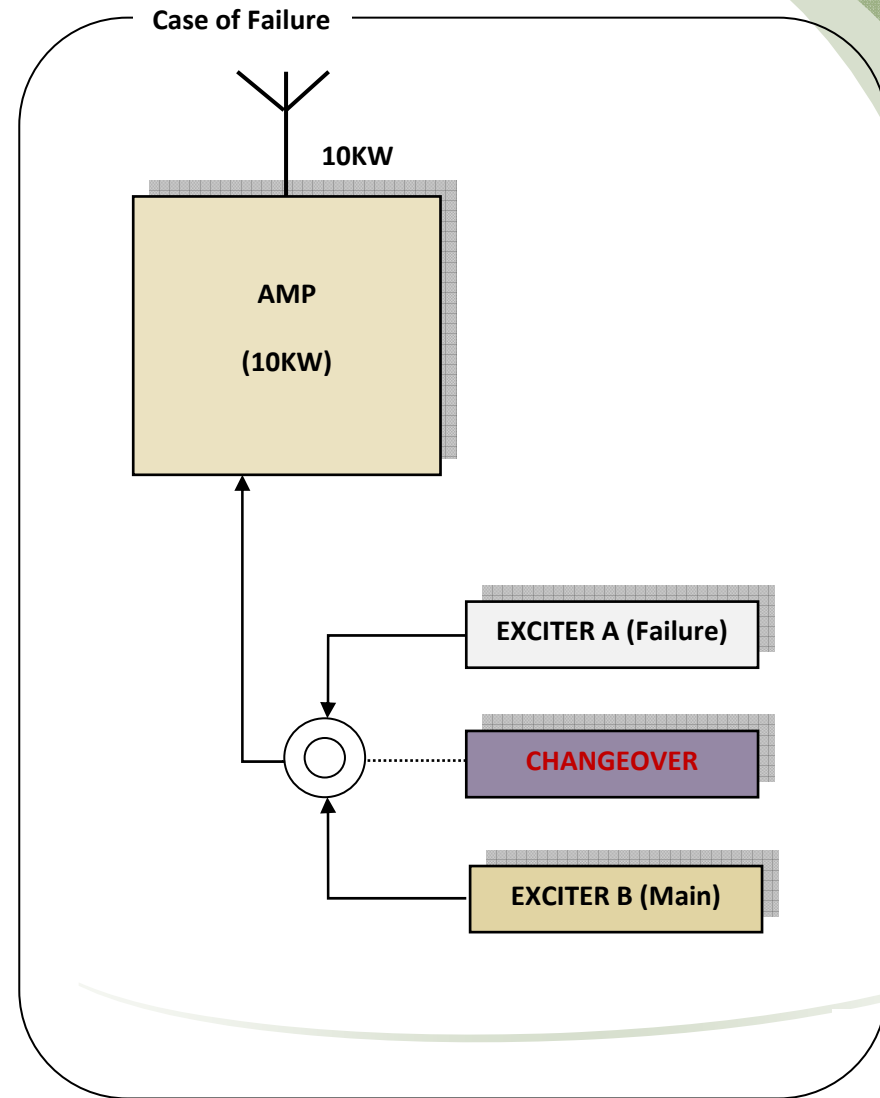
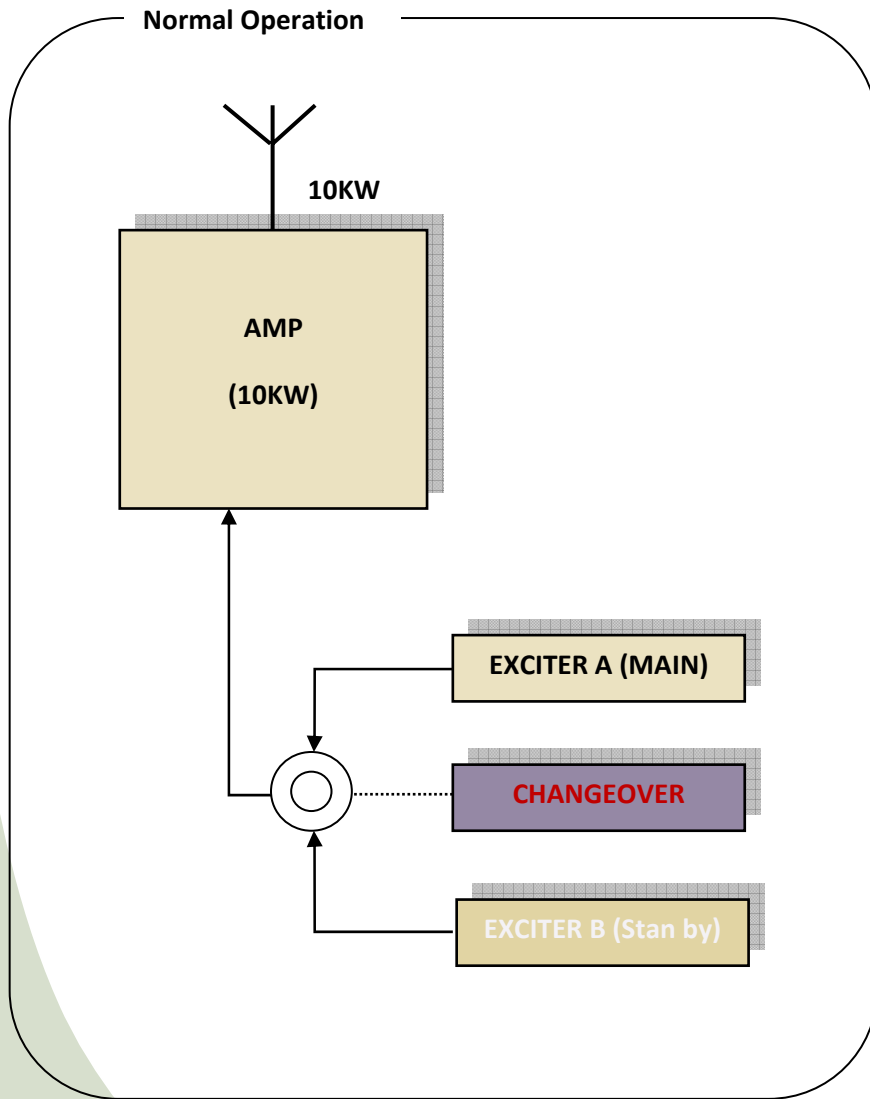
'1+1' Active System Transmitters with Hybrid Combiner



This system composed two amplifiers. In case of fails of one amplifier, the power of amplifier to antenna decrease, because the power is splitted between the antenna and the combiner absorber.



Double Exciter System



This system composed two exciter. In case of fails of one exciter, the second exciter is working instead.

